

Examples

Workout

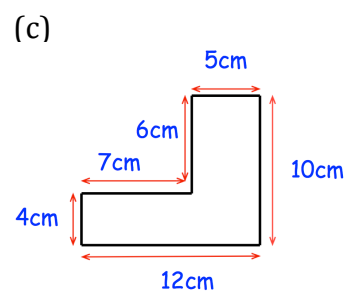
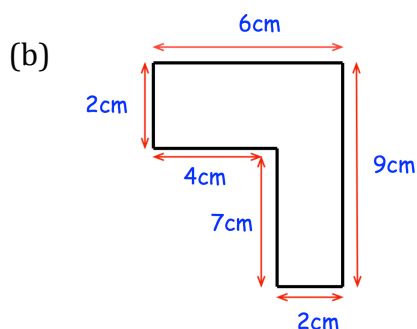
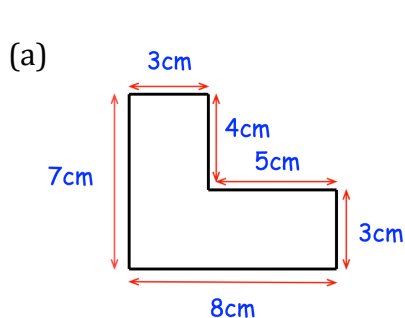


Click here

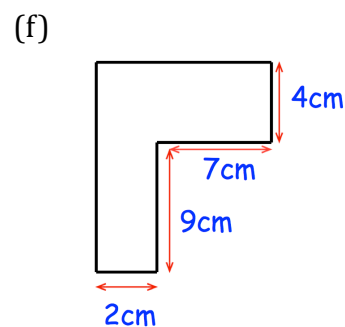
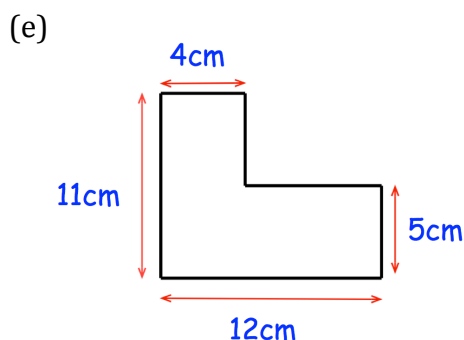
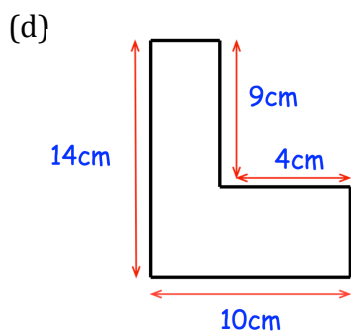
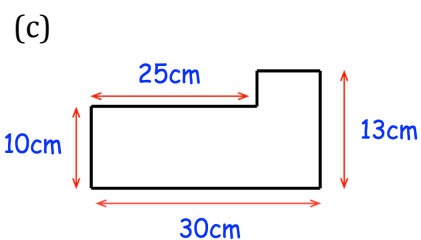
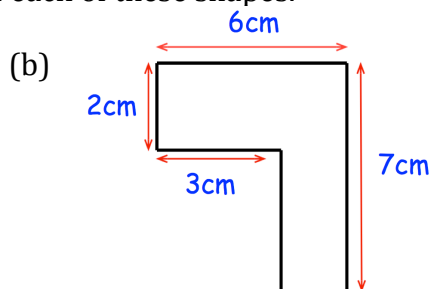
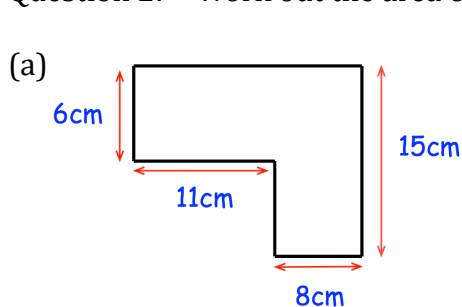


Scan here

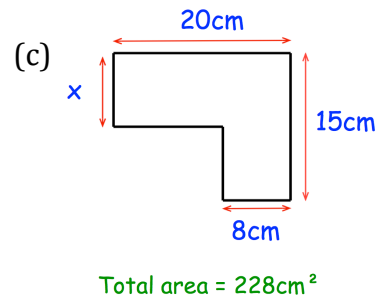
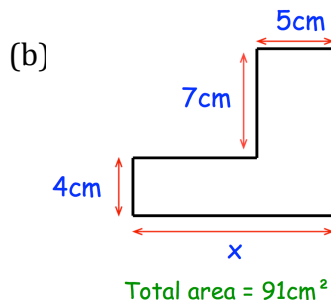
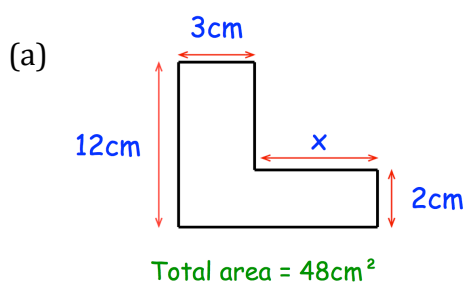
Question 1: Work out the area of each of these shapes.

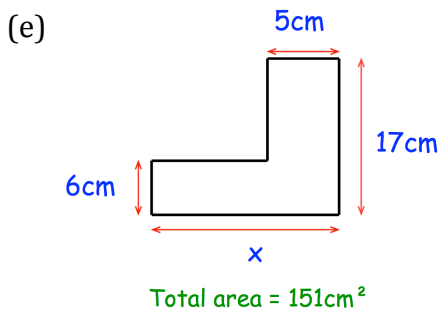
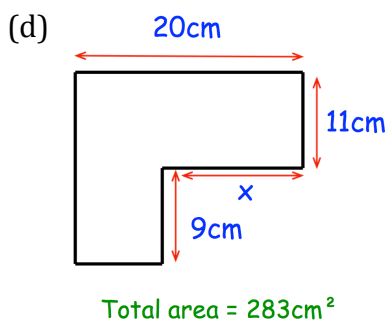


Question 2: Work out the area of each of these shapes.



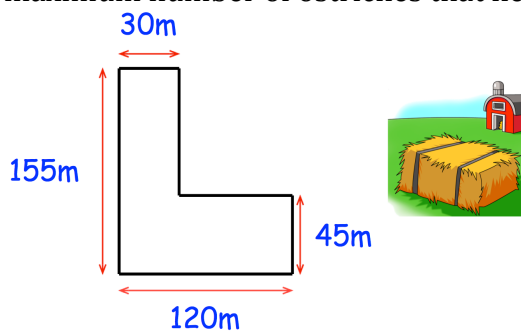
Question 3: The area of each shape is given.  
Work out the size of the missing sides.



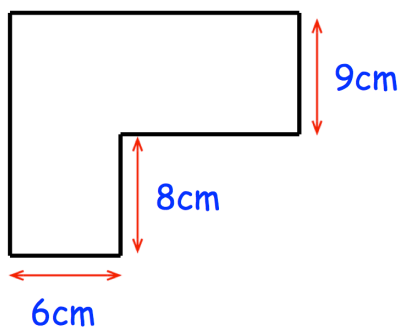


## Apply

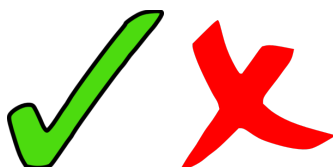
Question 1: A farmer keeps ostriches in the field shown.  
Each ostrich needs at least  $12\text{m}^2$   
Calculate the maximum number of ostriches that he can keep.



Question 2: The perimeter of the shape below is 70cm  
Calculate the area.



## Answers



Click here



Scan here